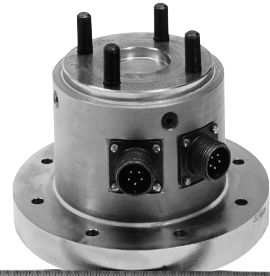


Model 6459 and 6467-6470

Torque Thrust Transducer



6459- Low capacity

DESCRIPTION

Models 6459 and 6467-6470 torque thrust transducers are used in applications where the need to sense both torque and thrust parameters simultaneously. Nickel-plated, alloy steel, one-piece construction. Designed specifically to provide the strength

and rigidity required to withstand extraneous loads and bending moments. Unique construction provides both maximum structure life and minimum thrust/torque crosstalk.

FEATURES

- 900 in-lb/1500 lbs to 100K in-lb/200K lbs (standard)
- 0.15 % non-linearity and hysteresis
- Reduced crosstalk
- Extraneous load resistance
- Single piece construction
- Fatigue rated

Model 6459 and 6467-6470

PERFORMANCE SPECIFICATIONS

Characteristic	Measure
Torque range	900, 5K, 25K, 50K, 100K lb-in
Non-linearity	±0.15 % of rated output
Hysteresis	±0.15 % of rated output
Repeatability	±0.1 % of rated output
Output @ rated capacity	±1.5 mV/V (nominal) (Both components)

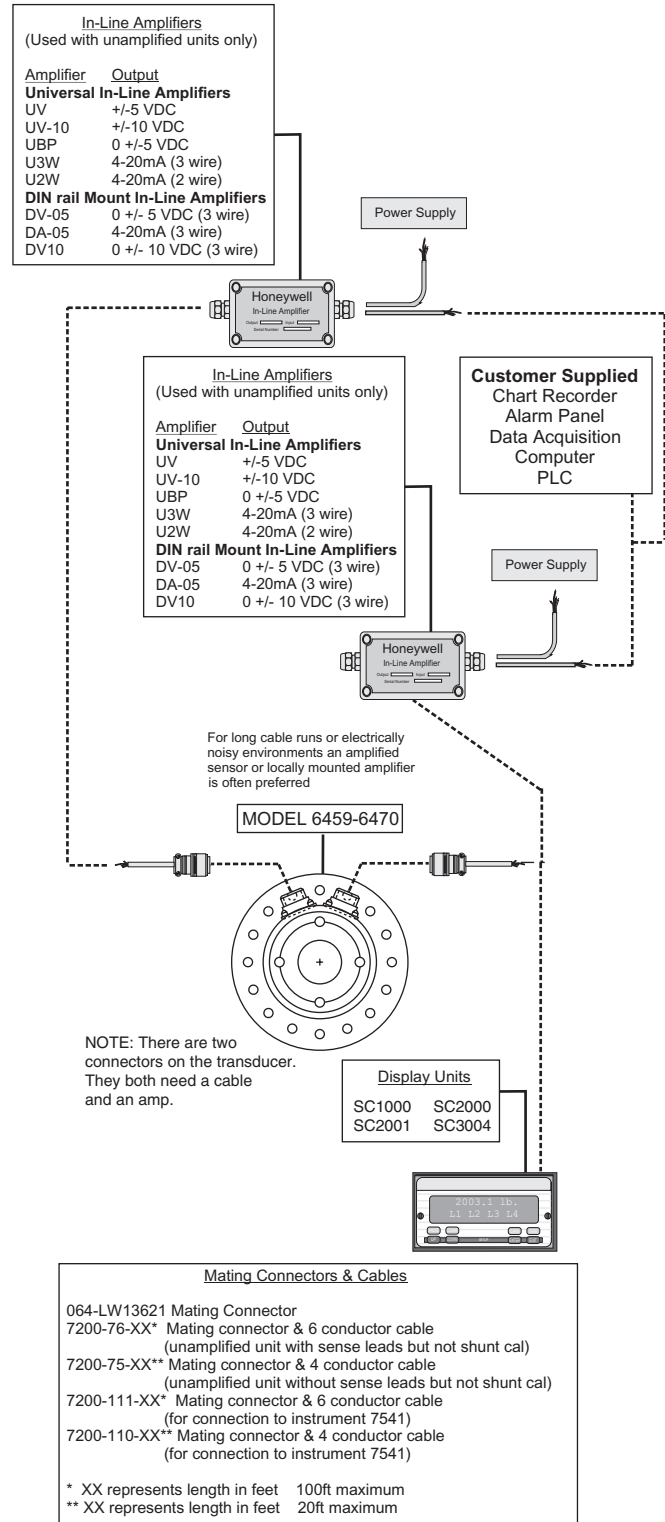
ENVIRONMENTAL SPECIFICATIONS

Characteristic	Measure
Temperature, operating	-54 °C to 93 °C [-65 °F to 200 °F]
Temperature, compensated	21 °C to 77 °C [70 °F to 170 °F]
Temperature effect, zero	±0.002 % of rated output/°F
Temperature effect, output	±0.002 % of reading/°F

ELECTRICAL SPECIFICATIONS

Characteristic	Measure
Excitation (maximum)	20 Vdc or Vac RMS
Insulation resistance	> 5000 mOhm @ 50 Vdc
Bridge resistance	700 ohm (nominal)
Zero balance	±1 % of rated output
Static overload capacity	150 % of rated capacity

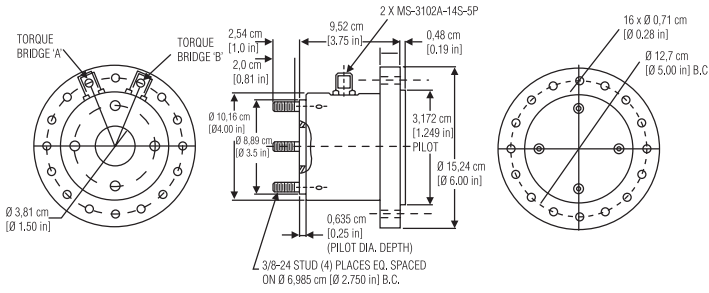
TYPICAL SYSTEM DIAGRAM



NOTE: There are two connectors on the transducer. They both need a cable and an amp.

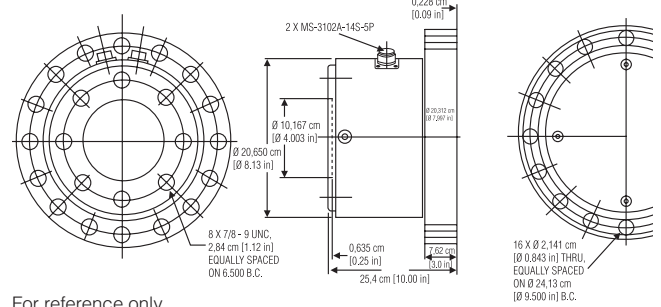
Torque Thrust Transducer

6459 - MOUNTING DIMENSIONS



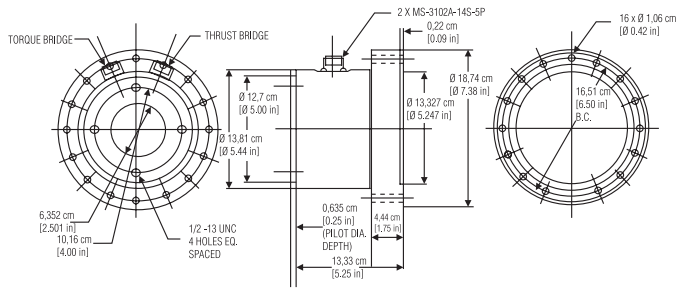
For reference only

6469 - MOUNTING DIMENSIONS



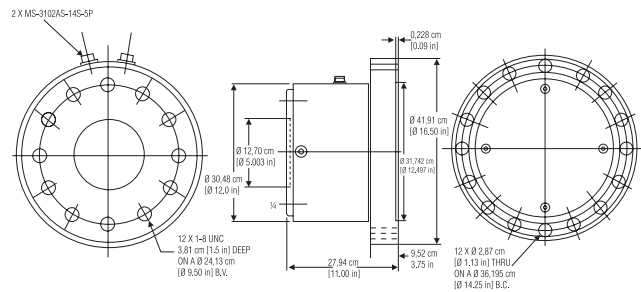
For reference only

6467 - MOUNTING DIMENSIONS



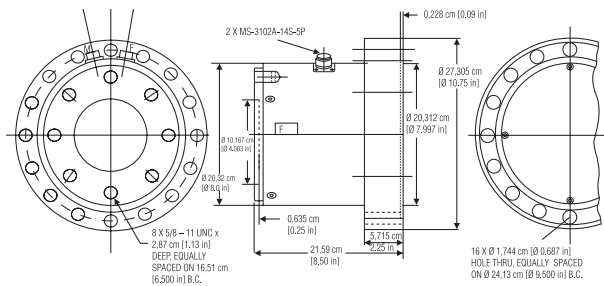
For reference only

6470 - MOUNTING DIMENSIONS



For reference only

6468 - MOUNTING DIMENSIONS



For reference only

Warranty. Honeywell warrants goods of its manufacture as being free of defective materials and faulty workmanship. Honeywell's standard product warranty applies unless agreed to otherwise by Honeywell in writing; please refer to your order acknowledgement or consult your local sales office for specific warranty details. If warranted goods are returned to Honeywell during the period of coverage, Honeywell will repair or replace, at its option, without charge those items it finds defective. **The foregoing is buyer's sole remedy and is in lieu of all warranties, expressed or implied, including those of merchantability and fitness for a particular purpose. In no event shall Honeywell be liable for consequential, special, or indirect damages.**

While we provide application assistance personally, through our literature and the Honeywell web site, it is up to the customer to determine the suitability of the product in the application.

Specifications may change without notice. The information we supply is believed to be accurate and reliable as of this printing. However, we assume no responsibility for its use.

For more information about Sensing and Control products, visit www.honeywell.com/sensing or call +1-815-235-6847
Email inquiries to info.sc@honeywell.com

⚠ WARNING
PERSONAL INJURY

- DO NOT USE these products as safety or emergency stop devices or in any other application where failure of the product could result in personal injury.

Failure to comply with these instructions could result in death or serious injury.

⚠ WARNING
MISUSE OF DOCUMENTATION

- The information presented in this catalogue is for reference only. DO NOT USE this document as product installation information.
- Complete installation, operation and maintenance information is provided in the instructions supplied with each product.

Failure to comply with these instructions could result in death or serious injury.