

SRH0422 Mini Slip Ring

Through-bore diameter 4.5mm



- ◆ Mastering the key technique of design and manufacture, holding independence the intellectual property
- ◆ Suffice the un-limit revolving video and the digital signals transmission of 360 degrees completely
- ◆ The integrated produce standard may meet the demand of client
- ◆ Longstanding using life
- ◆ Can be customised for customer need the produce



Hangzhou Prosper Electric Co.,Ltd

<http://www.hzqs.com>

Address: 1-1,the third jianhua sanjak,gensan east RD,hangzhou310021,P.R.China

Tel: 0086-571-85234298 85234297

PC: 310014

<mailto:sales@hzqs.com>

Fax: 0086-571-85234297



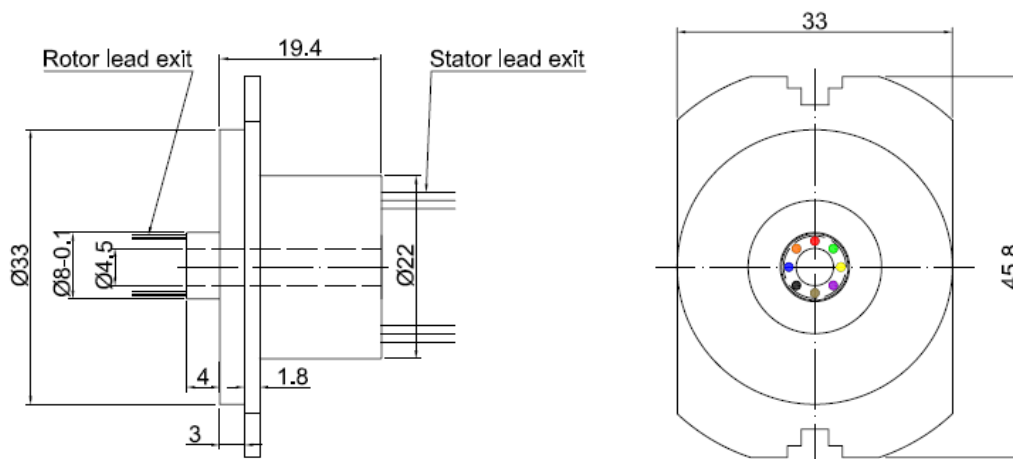
Description

The slip ring can be used in any electro-mechanical system that requires unrestrained, continuous rotation while transmitting power and / or data from a stationary to a rotating structure. The slip ring is also called a rotary electrical interface, commutator, collector, swivel or an electrical rotary joint. The brush adopt noble metal alloy material, Conducting ring Using a 90°V-groove ring. It adopt multilayer noble metal alloy for plating dispose. Color-coded lead wires are used on both the stator and rotor for simplified electrical connections.

The SRC Series find typical applications in

- ◆ CCTV pan/tilt cameras and pedestals
- ◆ Robots and downhole inspection equipment
- ◆ Test and measuring equipment
- ◆ Manufacturing and process control equipment
- ◆ Computer peripherals
- ◆ Display equipment Medical equipment

Outline dimension



Electrical data

Number of rings	8
Rated current	2A/ring
Voltage	0-240VAC
Lead size	AWG26 Colour coded, silver plated, PTFE insulated lead wires
Color code	1、 RED 2、 GRN 3、 YEL 4、 PUP 5、 GRY 6、 BLK 7、 BLU 8、 ORN
Standard Lead lengths	300mm (other lengths on request)
High pot	500VAC@50Hz,60s
Insulation Resistance	500MΩ/500VDC



Hangzhou Prosper Electric Co.,Ltd
<http://www.hzqs.com> <mailto:sales@hzqs.com>
Tel: 0086-571-85234298 85234297 Fax: 0086-571-85234297

Mechanical data

Operate Speed	250rpm
Temperature range	-20°Cto+80°C
Contact material surface	Gold-gold
Bearings	The little ball double density seals bearing