



杭州全盛电气有限公司
HANGZHOU PROSPER ELECTRIC CO.LTD

SRH 通用型系列导电滑环 SRH Series

过孔导电滑环 Slip rings through-bore

- ◆ 采用先进的纤刷技术设计及制造
- ◆ 完全满足 360 度无限制旋转的动力及控制信号传输
- ◆ 标准化产品规格
- ◆ 超长的使用寿命和免维护运转
- ◆ 各项技术指标达到国外同类产品
- ◆ 能为客户量身定制所需要的产品
- ◆ Make use of advanced sheaf brush technology to design and manufacture
- ◆ Suffice 360° unrestrained continuous rotation in transmitting power and/or data
- ◆ Modularized product
- ◆ Long life and maintenance-free operation



地址：杭州市民山东路建华三区1—1
Add:1-1, 3section, Jianhua district, Genshan East road, Hangzhou, China
电话 (Tel) : 86-571-86496781 86496782 86496783
传真 (Fax) : 86-571-86496785
邮编 (Post) :310021
网址 [Http://www.hzqs.com](http://www.hzqs.com)
E-mail: sales@hzqs.com



SRH 通用系列导电滑环 (SRH Series)

典型应用 Applications

- ◆ 工业机器 - 加工中心, 旋转工作台
- ◆ 重型设备塔台或电缆卷盘, 试验设备
- ◆ 包装设备, 堆垛机, 磁性离合器, 工艺控制设备
- ◆ 旋转传感器, 紧急照明设备, 机器人
- ◆ 展览/显示设备、医疗设备
- ◆ Industrial machinery, e.g. rotary index tables, machining centers etc
- ◆ Cable reel, test equipment and machining centers
- ◆ Heavy equipment turrets
- ◆ Packaging machines, magnetic clutches, palletizing machines
- ◆ Process control equipment
- ◆ Rotary sensors, robotics, emergency lighting
- ◆ Display/ Medical equipment, Exhibit equipment

电气技术指标 Electric data

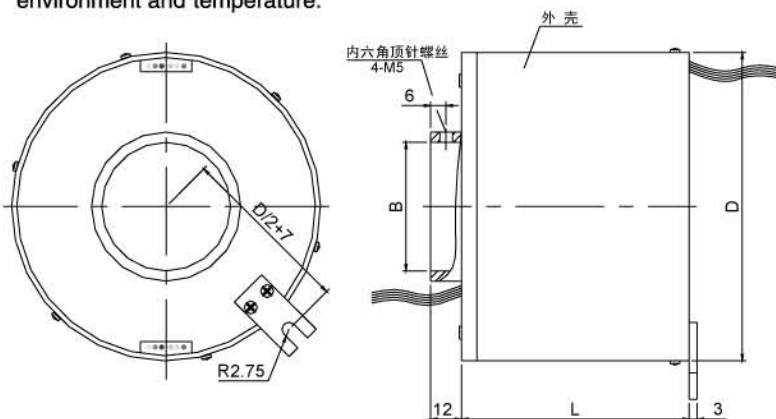
参数	Specification	单位	Unit
电压	Voltage	600V	
导线规格	Lead type	镀锡彩色导线	Tinning wires, colour coded
导线长度	Lead length	500mm/1000mm 或根据客户要求提供	500mm/1000mm (or length on request)
绝缘电阻	Insulation Resistance	≥500MΩ/1000V	
动态接触电阻变化值	Dynamic Contact Resistance	≤0.01Ω	
绝缘体强度	Dielectric strength	500VAC@60Hz	

机械技术指标 Mechanical data

参数	Specification	单位	Unit
工作速度	Operating Speed	250rpm、1200rpm、2000rpm	
接触材料表面	Contact material	金或银合金	Gold or silver alloy
轴承	Bearing	钢珠轴承	Steel ball bearing
壳体材料	Housing	工程塑料或铝合金	Engineering plastic or Al alloy
防护等级	IP	IP 51-IP 65	

滑环寿命由工作转速, 工作环境和温度决定

The life of the slip ring is decided by the rotating speed, working environment and temperature.



型号选用说明 Type instruction



主要技术指标 Main technique data

型号	孔径	外径	环数	长度	电流范围	温度范围	接触电阻
Model	Through-bore dia. B	Outer diameter D	Rings (n)	length L	(A)	(°C)	Resistance (Ω)
SRH010	10	55	1-36	29.5+n×3	1-20	-20~80	≤0.01Ω
SRH015	15	60	1-36	29.5+n×3	1-20	-20~80	≤0.01Ω
SRH020	20	70	1-40	29.5+n×3	1-20	-20~80	≤0.01Ω
SRH025	25	70	1-40	29.5+n×3	1-20	-20~80	≤0.01Ω
SRH030	30	95	1-40	29.5+n×3	1-20	-20~80	≤0.01Ω
SRH035	35	110	1-40	29.5+n×3	1-20	-20~80	≤0.01Ω
SRH040	40	110	1-50	40.5+n×3.5	1-20	-20~80	≤0.01Ω
SRH045	45	120	1-50	40.5+n×3.5	1-20	-20~80	≤0.01Ω
SRH050	50	120	1-50	40.5+n×3.5	1-30	-20~80	≤0.01Ω
SRH055	55	120	1-50	40.5+n×3.5	1-30	-20~80	≤0.01Ω
SRH060	60	124	1-60	40.5+n×3.5	1-30	-20~80	≤0.01Ω
SRH065	65	124	1-60	40.5+n×3.5	1-30	-20~80	≤0.01Ω
SRH070	70	140	1-60	43.5+n×3.5	1-30	-20~80	≤0.01Ω
SRH075	75	150	1-60	46.5+n×3.5	1-30	-20~80	≤0.01Ω
SRH080	80	150	1-72	46.5+n×3.5	1-30	-20~80	≤0.01Ω
SRH090	90	170	1-72	59+n×5	1-30	-20~80	≤0.01Ω
SRH100	100	180	1-80	59+n×5	1-30	-20~80	≤0.01Ω
SRH110	110	190	1-80	61+n×5	1-30	-20~80	≤0.01Ω
SRH120	120	200	1-96	63+n×5	1-30	-20~80	≤0.01Ω
SRH130	130	220	1-96	65+n×5	1-30	-20~80	≤0.01Ω
SRH140	140	230	1-96	67+n×5	1-30	-20~80	≤0.01Ω
SRH150	150	240	1-110	69+n×5	1-30	-20~80	≤0.01Ω
SRH160	160	258	1-110	73+n×5	1-30	-20~80	≤0.01Ω
SRH170	170	260	1-110	73+n×5	1-30	-20~80	≤0.01Ω
SRH180	180	270	1-124	75+n×5	1-30	-20~80	≤0.01Ω
SRH190	190	280	1-124	75+n×5	1-30	-20~80	≤0.01Ω
SRH200	200	390	1-124	79+n×5	1-30	-20~80	≤0.01Ω

实际外型尺寸可能因电流、电压大小和客户需求有所变化
The actual dimension maybe differed because of the current, voltage or the customer's requirements

可按客户要求订制各种滑环, 也可提供OEM产品

Manufacture the slip ring according to customer's request, We also welcome OEM to join us.