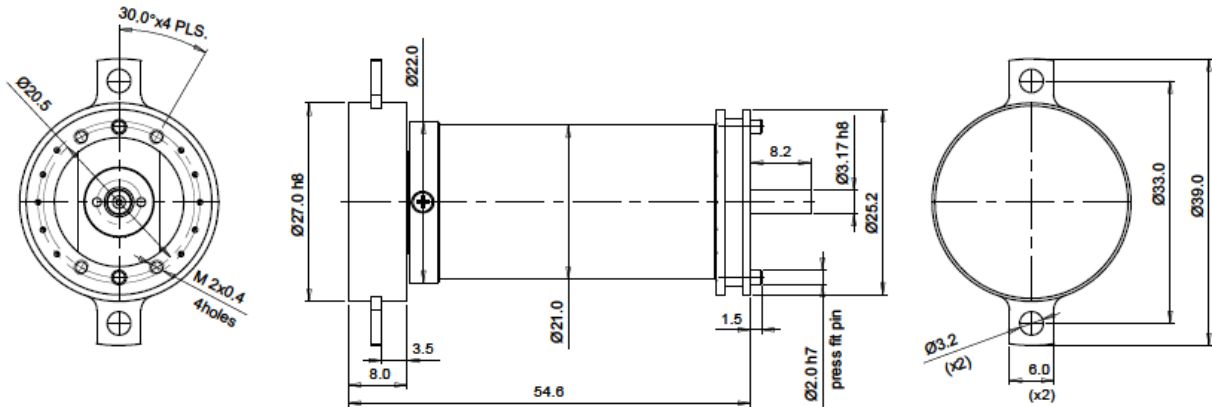


Slip-Ring

The SR-5040 is a high accuracy 50 channel Slip-Ring designed for a Payload, however, it has other typical applications, such as display and avionics, testing and measurement, robotics and medical equipment. The SR-5040 provides high quality transmission of currents and signals (including HD Video and LAN) under the harshest environmental conditions, where a large number of channels in a compact design is required. The outstanding raw materials used for the SR-5040 provide extended lifetime.



Specification

Parameter	Unit	Value	Tolerance
Number of channels (circuits) with 1.5 A		44	
“ “ “ “ with 5 A	circ.	4	-
“ “ “ “ with 10 A		2	
Operating speed	RPM	40	max.
Lead wire length	mm	200	min.
Lead wire size (types)	AWG	20, 24, 26, 28, 30, COAX, LAN cable	-
Total current rating	A	40	max.
Contact material	gold on gold		-
Temperature range	°C	-40 to +70	-
Dielectric strength	VAC RMS, 50 or 60 Hz	500	-
Insulation resistance	MΩ	100	min.
Circuit resistance	Ω	0.85	max.
Housing	Aluminum	-	-
Noise tested at 6 V DC, 100 mA	Ω	0.015 @ 2 RPM	max.
Starting torque	gm*cm	130	max.

Note: power and signal configuration available according to customer requirement.