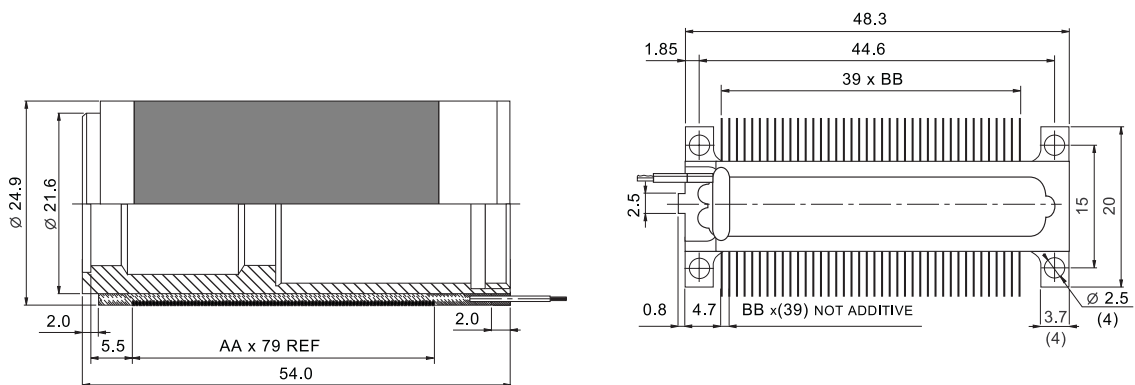
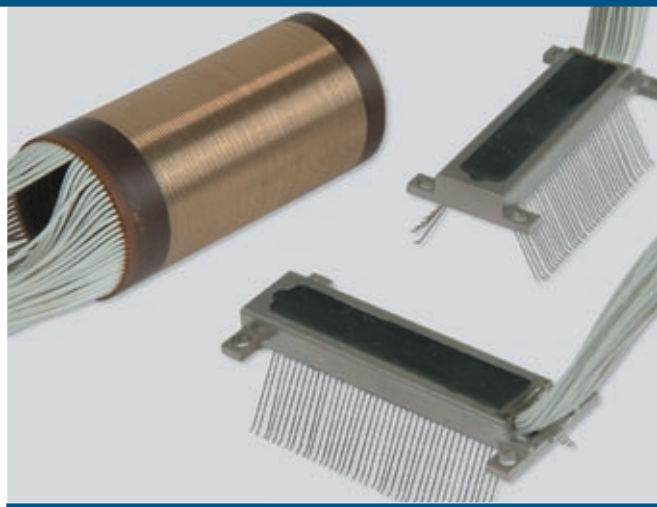


Multi-Tier Slip-Ring

The SR-4400, a high accuracy 80 channels Slip-Ring, was especially designed for high quality current and signal transmission under harsh environmental conditions, when a large number of circuits in a compact design is needed. The outstanding raw materials used for the SR-4400 endow it with extended lifetime, a vital advantage in this type of application. Without casing - case can be designed upon request, according to customer specification.



Specification

Parameter	Unit	Value
Number of circuits	circ.	80
Operating speed max.	RPM	190
Lead wire length min.	mm	300
Lead wire size	AWG	30
Max total current rating	A	10
Max current per pair	A	2
Temperature range	°C	-45 ÷ +125
Dielectric strength	V AC RMS, 50 or 60 Hz	350
Insulation resistance min	MΩ	500
Circuit resistance max.	Ω	0.5
Noise max	Ω	0.4 at 190 rpm
Starting torque max.	gm/cm	600
Lifetime	hours	500