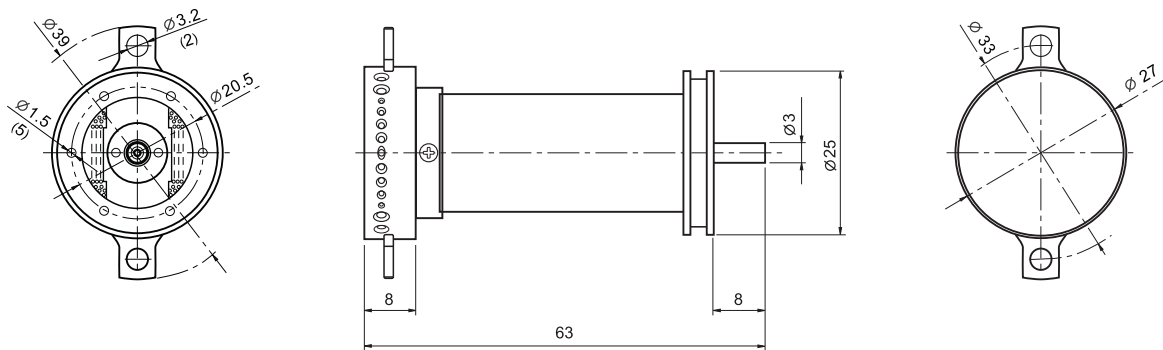


Slip-Ring

The SR-1412, a high accuracy 66 channel slip-ring for payloads, was especially designed for high quality current and signal (including HD Video and LAN) transmissions under harsh environmental conditions, when a large number of channels in a compact design is required. The outstanding raw materials used for the SR-1412 provide extended lifetime, a critical advantage in this type of application.



Specification

Parameter	Unit	Value
Number of circuits	circ.	66
Operating speed max.	RPM	40
Lead wire length min.	mm	200
Lead wire size	AWG	20;24;26;28;30;COAX
Max total current rating	A	34
Max current per pair	A	2.5
Temperature range	°C	-40 ÷ +70
Dielectric strength	V AC RMS, 50 or 60 Hz	500
Insulation resistance min	MΩ	100
Noise max	Ω	0.015 at 2 rpm
Starting torque max.	gm/cm	100
Lifetime	hours	840
Housing	Aluminum	

Rev. Sept. 2011