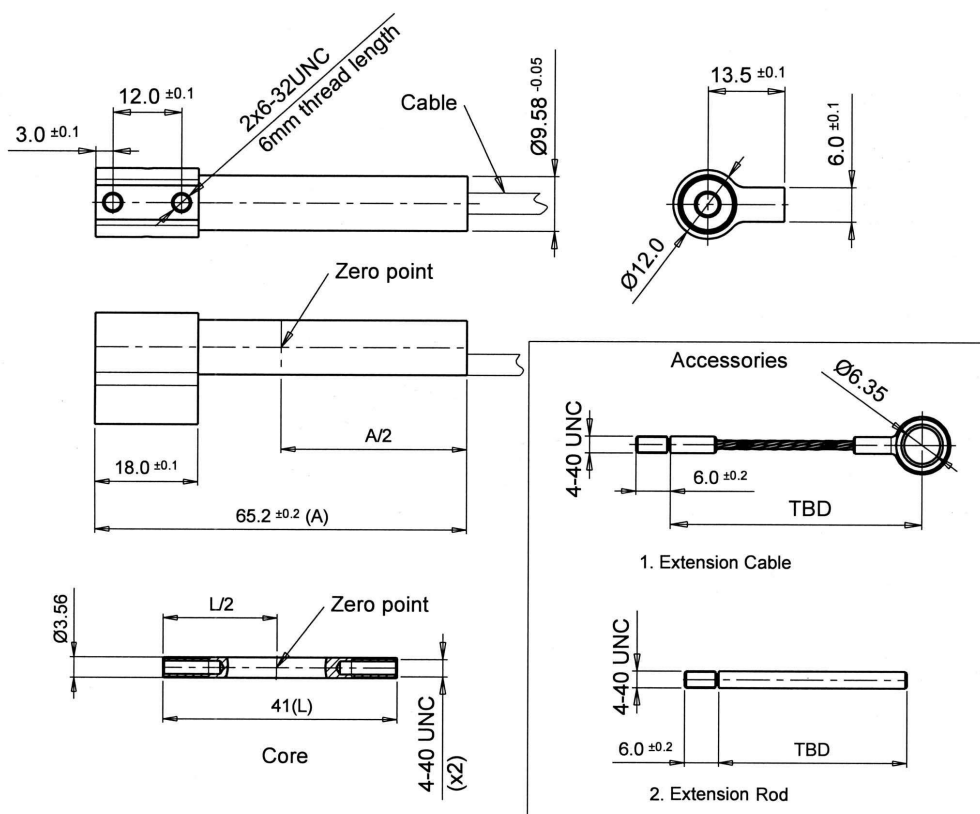


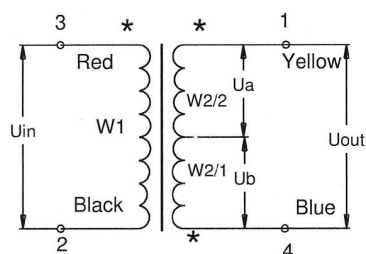
# mtc LVDT-1901

## Linear Variable Differential Transformer

The LVDT-1901 is a miniature electro-mechanical transducer, linearly converting position of an object, mechanically attached to it, to AC output. Particularly suitable for highly accurate measurements in harsh environmental conditions, such as vibration and high acceleration. Available with attachment accessory, off-the-shelf or according to customer specification. It was developed for avionics, but can serve in a variety of applications.



## Wiring Diagram



# mtc LVDT-1901 (continued)

## Specification

Parameter	Unit	Value	Tolerance
Input Voltage	V rms	5	max
Input Frequency	kHz	5	nominal
Linear Measuring Range*	mm	±8	± 10%
Maximum Core Velocity	mm/sec	50	± 10%
Resistance			
- Primary	Ohm	90	15%
- Secondary	Ohm	160	15%
Resolution	mm	0.01	-
Accuracy	full scale	±1%	-
Operating Temperature	°C	-40 - +80	-
Outer Diameter	mm	9.58	-0.05
Weight	gr.	35	± 5%
Lead wire : 30 A WC Teflon insulation, length definable			

\* measuring range can be adapted to customer requirement