

# J300 Joystick



- ◆ Minimize design, Being fit for the Tlimit space Tfix
- ◆ Rotary soft, handle portable
- ◆ Standardization product specification
- ◆ Use long life rotary potentiometers
- ◆ The ratio of capability and price is high



Hangzhou Prosper Electric CO.Ltd

Http: // [www.hzqs.com](http://www.hzqs.com)

Email To: [sales@hzqs.com](mailto:sales@hzqs.com)

Address: 1-1, the third jianhua sanjak, gensan east RD, hangzhou310021, P.R.China

Tel: 0086-571-86496781 86496782 86496783

Fax: 0086-571-86496785



Hangzhou prosper electric co.Ltd

## Characteristics:

J300 series miniature joystick is a lesser precision joystick and has been designed for keyboard and other installations with limited space availability, adopt high quality carbon film potentiometers.

## Applications:

- Move photography and CCTV control system
- Curative imaging system
- Video frequency compile and produce equipmen
- Testing measure equipment
- Automatization machine control
- Instruments for industrial and scientific use

## Electrical data:

Specification	Unit
Resistance Value	Stndard 5K $\Omega$ , 10 K $\Omega$ on request
Resistance Tolerance	$\pm 20\%$
Independent Linearity	$\pm 1\%$
Resolution	Essentially infinite
Temperature Coffcient Resistance	$\pm 400$ ppm/ $^{\circ}$ C
Output Smoothness	0.5 % maximun
X and Y Axis Electricity Corner	$\pm 25^{\circ}$
Z Axis Electricity Corner	$\pm 45^{\circ}$
R300Z Axis Potentiometers、R400 Z Axis Potentiometers and button switch lead	AWG28 color coded,silver plater,PTFE insulated lead wires standard length 100mm other lengths on request
Insulation Resistance	50 M $\Omega$ @ 500 VDC, 60 sec.

## Mechanical data:

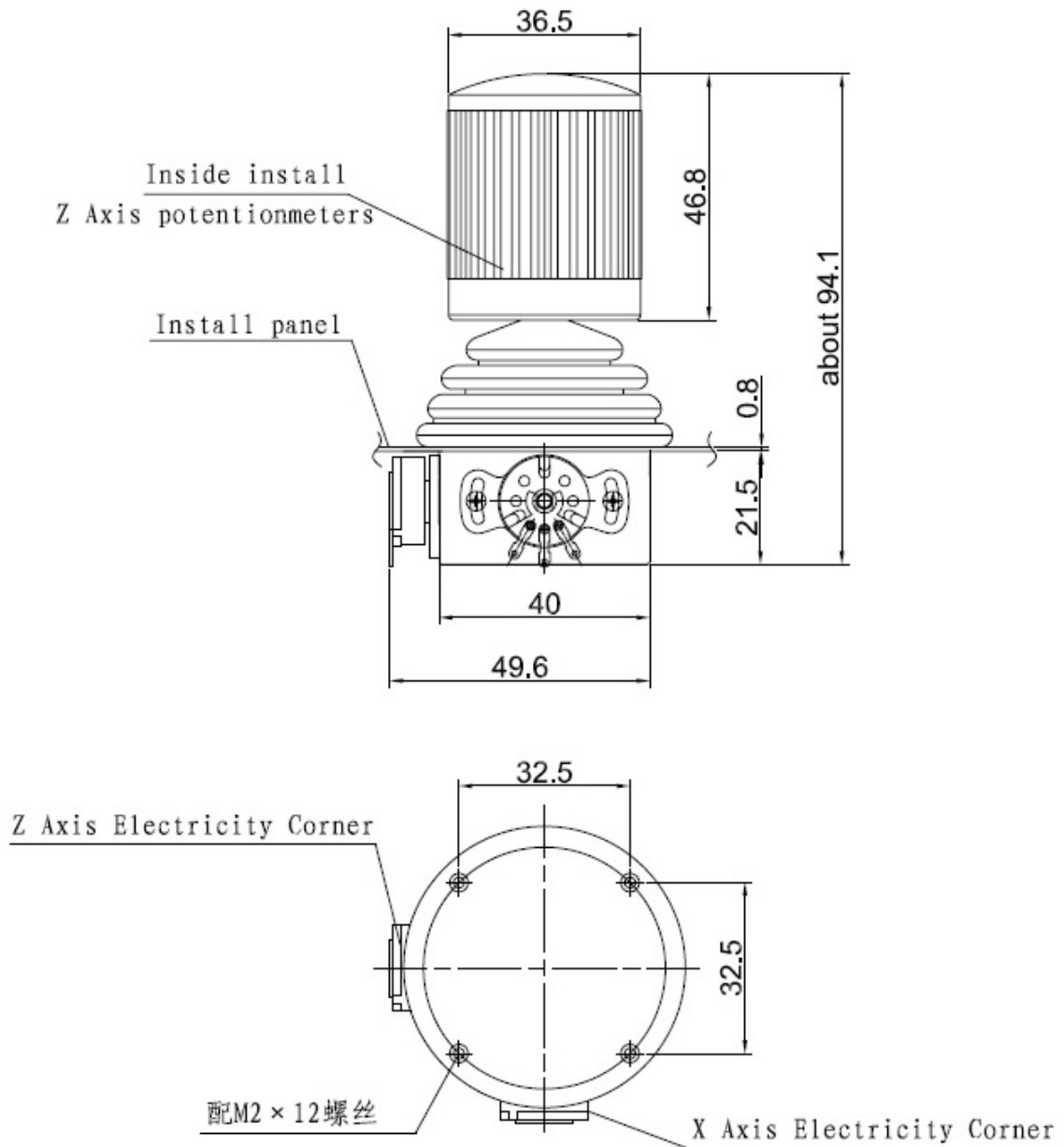
Specification	Unit
Restoration Error Rate	0.06 K $\Omega$
Prolepsis Mechanical Lifecycle	300,000 cycle and500,000 cycle on request
Operating Temperatur Range	-10 $^{\circ}$ C to 80 $^{\circ}$ C

Address: 1-1,the third jianhua sanjak.gensan east RD,hangzhou310021,P.R.China

Tel:0086-571-86496781 86496782 86496783

Fax:0086-571-86496785

## J300 Joystick Outline dimension



Address: 1-1, the third jianhua sanjak, gensan east RD, hangzhou310021, P. R. China

Tel:0086-571-86496781 86496782 86496783

Fax:0086-571-86496785