

Pressure Transmitter GPT200

Description

GPT200 pressure transmitter use the diffuse silicon oil-filled core body as the sensitive element, built-in processing circuit to change sensors millivolt signal to standard output voltage or current signals, can be directly with the computer, control instrument and display instrument, etc. Select the high stability, high reliability of piezoresistive pressure sensor and high-performance dedicated circuit in the transmitter, the overall performance is stable and reliable, long distance signal transmission can be performed. Adopts the integration of the full stainless steel structure, after lots of stainless steel welding to reach the solid-state design, easy installation, with the characteristics of high vibration resistance and impact resistance, can be use in the bad environment for a long time.

Features

- 316L stainless steel diaphragm
- Micro amplifier, voltage and current output signal
- Strong anti-interference, long-term stability
- Multiple electrical connection are optional, easy installation
- Small size, low-cost and OEM is available
- Wide range, available to Gauge, Absolute and sealed gauge type.



Technical Specifications

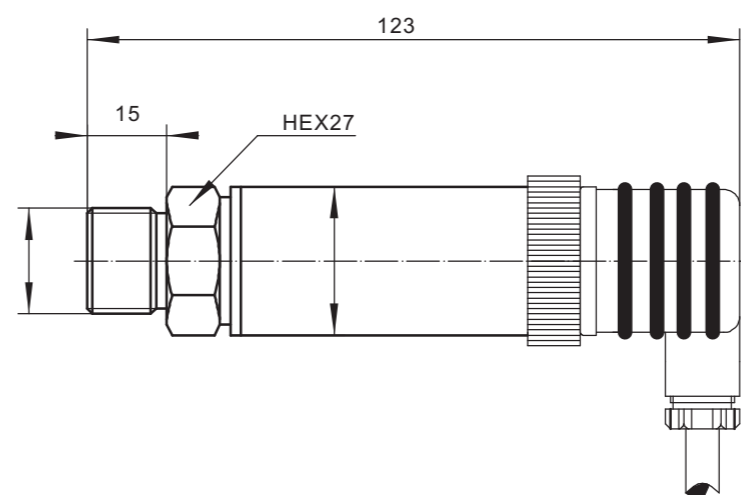
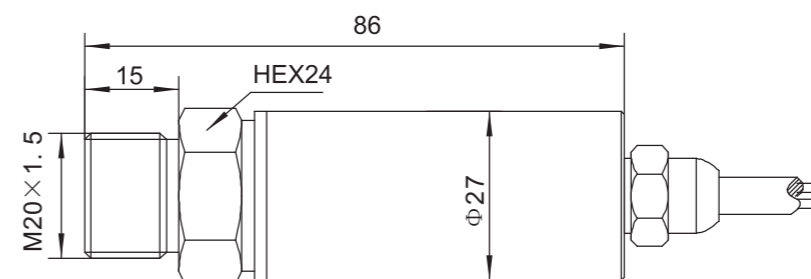
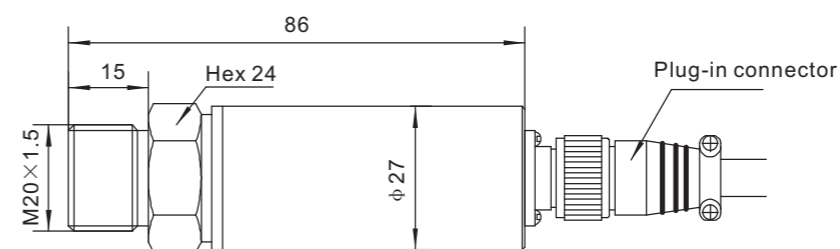
test condition of data: 25°C (77°F)

Pressure range	-0.1...0 ~ 0.01...100MPa					
Pressure type	gauge (G), absolute (A), sealed gauge (S)					
Overpressure	150%FS					
Output signal	4~20mA	0~5Vdc	1~5Vdc	0~10Vdc	0.5~4.5Vdc	RS485
Power supply	12~30Vdc	12~30Vdc	12~30Vdc	12~30Vdc	5Vdc	12Vdc or 24Vdc
Accuracy	0.25%FS(typ.)			0.5%FS(max.)		
Long-term stability	≤0.2%FS/year					
Temp. coefficient of zero	±1.5%FS/°C					
Temp. coefficient of span	±1.5%FS/°C					
Compensated temperature range	-10~+70 °C					
Operating temperature range	-20~+85 °C					
Storage temperature range	-40~+125 °C					
Insulating resistance	100MΩ@250Vdc					
Medium	Water, Gasoline, Diesel fuel, etc					
Electrical interface	DIN43650 Cable connection Plug-in connector					
Pressure interface	M20x1.5, G1/4, G1/2, 1/4NPT, 1/2NPT (customer request)					
Material of pressure membrane	316L stainless steel					
Material of housing	stainless steel					
Response time(10%~90%)	≤ 1ms (Rises to 90%FS)					
Shock	20g(20-5000HZ)					
Protection	IP65					
Impact	100g(11ms)					
Explosion-proof	ExiaIICT6					

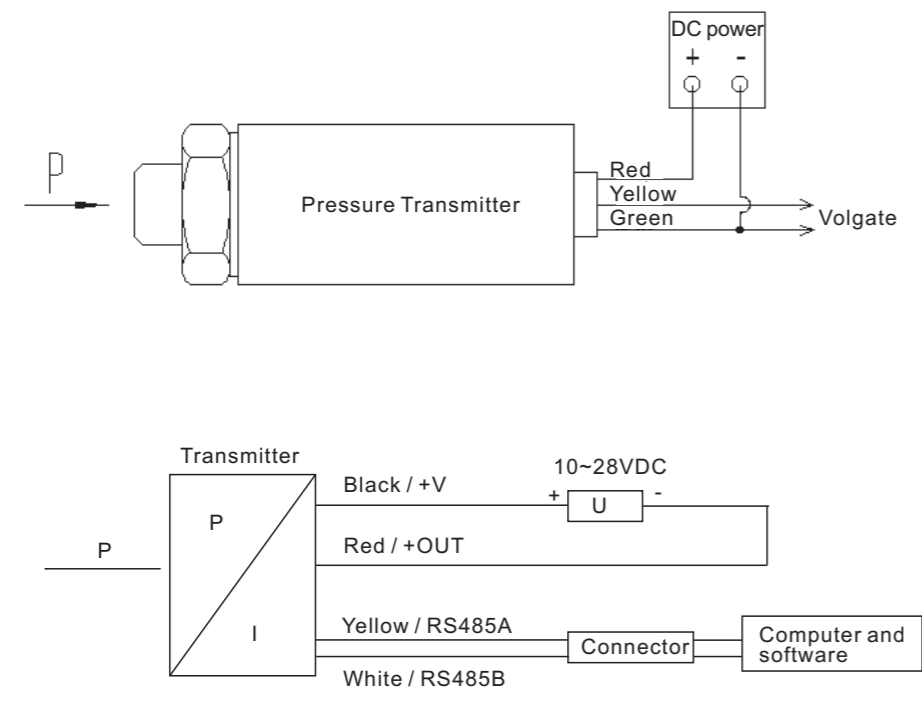
Application

- Process control system
- Air compressor
- HVAC, Energy and water treatment
- Petrochemical and engineering machinery

Dimension(mm)



Wiring



Installation Methods

- (1) Choose easy to operate and maintain places for installation;
- (2) Should try to stay away from the vibration source mounting;
- (3) Should be kept away from heat sources;
- (4) The best connected via pipeline valves and measurement;
- (5) When you install the clamp at the transmitter with a hexagonal wrench;
- (6) Operation Hirschmann connector and shell connections can not rotate.

Ordering code

GPT200	Pressure Sensor										
Code	Pressure range										
0/x	-0.1... 0~0.01... 100MPa										
Code	Unit										
M	MPa										
B	Bar										
P	Psi										
Code	Pressure type										
G	gauge										
S	sealed gauge										
A	absolute										
Code	Output signal										
T1	4-20mA										
T2	0-5Vdc										
T3	1-5Vdc										
T4	0-10Vdc										
T5	0.5-4.5Vdc										
Code	power supply										
V1	12Vdc										
V2	24Vdc										
V3	12~30Vdc										
V4	5V										
Code	accuracy										
A1	0.2%FS										
A2	0.25%FS										
A3	0.5%FS										
Code	Electrical interface										
B1	DIN43650										
B2	cable connection										
B3	plug-in connector										
B4	can be customized										
Code	electrical interface										
K1	cable connection										
K2	2088housing										
K3	2088housing+display										
Code	Housing Material										
S1	304 SS										
S2	316L SS										
Code	Pressure interface										
C1	M20x1.5(male)										
C2	G1/4(male)										
C3	G1/2(male)										
C4	1/4NPT(male)										
Cx	other										
Code	Explosion-proof function										
E	Ex I explosion-proof										
O	non-explosion-proof										
E	Complete specification										